

RoHS Compliant

Illuminated Indexing Switch

Specifications

Electrical Ratings	1A @ 24VDC 1A @ 125VAC 0.5A @ 250VAC
Sealing Degree	IP65 standard
Electrical Life	50,000 cycles typical
Contact Resistance	≤ 50mΩ initial

Dielectric Strength	2000Vrms min contact to contact
Insulation Resistance	≥ 100MΩ min
Operating Temperature	-25°C to 55°C
Storage Temperature	-25°C to 55°C

Materials

Actuator	Stainless Steel
LED Lens	Polycarbonate (PC)
Threaded Body	Stainless Steel
Polymer Housing	Polybutylene Terephthalate (PBT)
Contacts	Silver Alloy rivet
Terminals	Cooper Alloy, Silver plated
“O” Ring	Buna-N
Hex Nut	Brass, Nickel plated

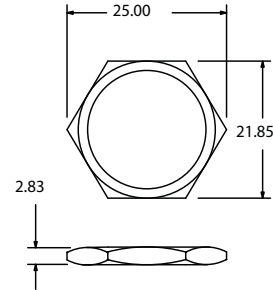
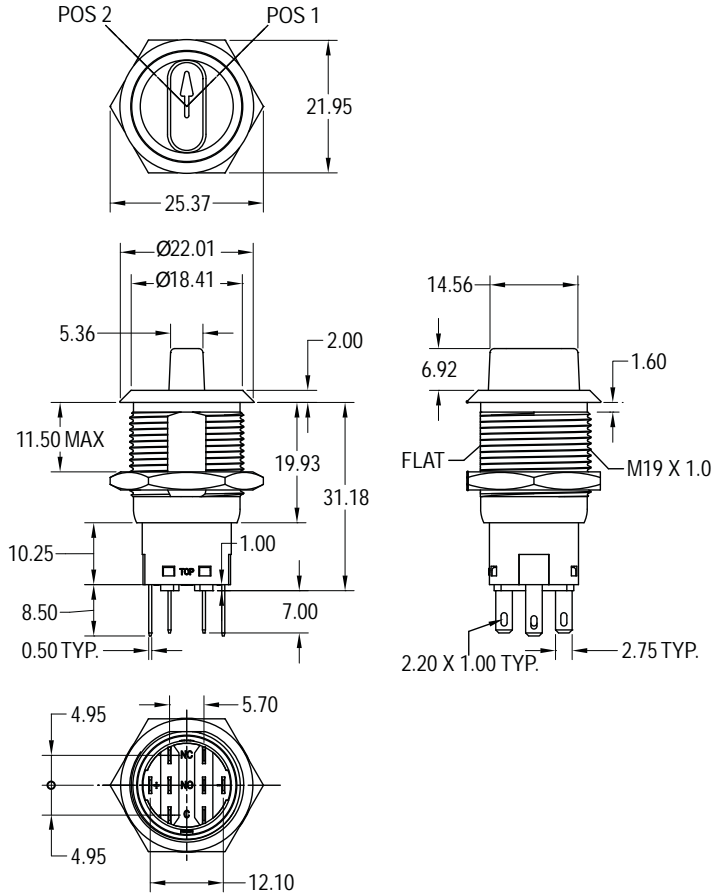
Ordering Information

1. Series	AS	C	S	RB	12	S
AS						
2. Switch Function	A = SPDT - 90° Indexing (On - On) B = DPDT - 90° Indexing (On - On) C = DPDT - 45° Indexing (On - On - On)					
3. Switch Finish	S = Stainless Steel					
4. LED Color	X = No LED RO = Red / Orange dual LED YG = Yellow / Green dual LED R = Red RY = Red / Yellow dual LED YB = Yellow / Blue dual LED Y = Yellow RG = Red / Green dual LED BG = Blue / Green dual LED G = Green RB = Red / Blue dual LED B = Blue OY = Orange / Yellow dual LED W = White OG = Orange / Green dual LED O = Orange OB = Orange / Blue dual LED					
5. LED Voltage	X = No LED 24 = 24V N = No internal resistor in series with the LED 6 = 6V 110 = 110V 12 = 12V 220 = 220V					
6. Sealing	S = IP65 (standard)					

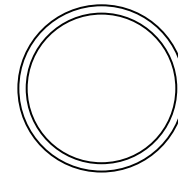
AS

Indexing Switch

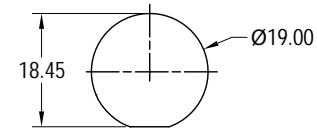
Dimensions



1 Each Hex Nut supplied



1 Each "O" Ring supplied



Panel Cut-Out

Schematics

SWITCH FUNCTION - TOP VIEW	POS. 1 - BOTTOM VIEW	POS. 3 - BOTTOM VIEW	POS. 2 - BOTTOM VIEW
<p>A SPDT 90° Indexing (ON - ON)</p>		NONE	
<p>B DPDT 90° Indexing (ON - ON)</p>		NONE	
<p>C DPDT 45° Indexing (ON - ON - ON)</p>			

LED Characteristics

LED Ratings		Color						Units
		R	Y	G	B	O	W	
Reverse Voltage	V_R	5	5	5	5	5	5	V
Forward Current (avg)	I_F	25	25	30	30	25	30	mA
Forward Current (peak)	I_{FS}	120	120	160	160	120	160	mA
Reverse Current $V_R = 5V$	I_R	10	10	10	10	10	10	μA
Forward Voltage (typ) $I_F = 20mA$	V_F	2.1	2.1	3.3	3.3	2.0	3.0	V
Forward Voltage (max) $I_F = 20mA$	V_F	2.4	2.5	3.6	3.6	2.3	3.6	V
Luminous Intensity, $I_F = 20mA$	LI	120	120	170	100	120	700	mcd